

# Tangerine by Simon James



**SIMON JAMES**

Furniture & Lighting

47 Normanby Road  
Mt Eden  
Auckland 1024  
Ph +64 9 377 5556

[simonjames.co.nz](http://simonjames.co.nz)

## SIMON JAMES

Tangerine by Simon James is a clean lined chair and stool collection ideal for home, hospitality and commercial environments. Initially conceived as a stackable chair, the stools feature the same iconic curved seat and back detail to produce a lightweight appearance. The inclusion of slim steel crossbars make the stools ideal for contact use.

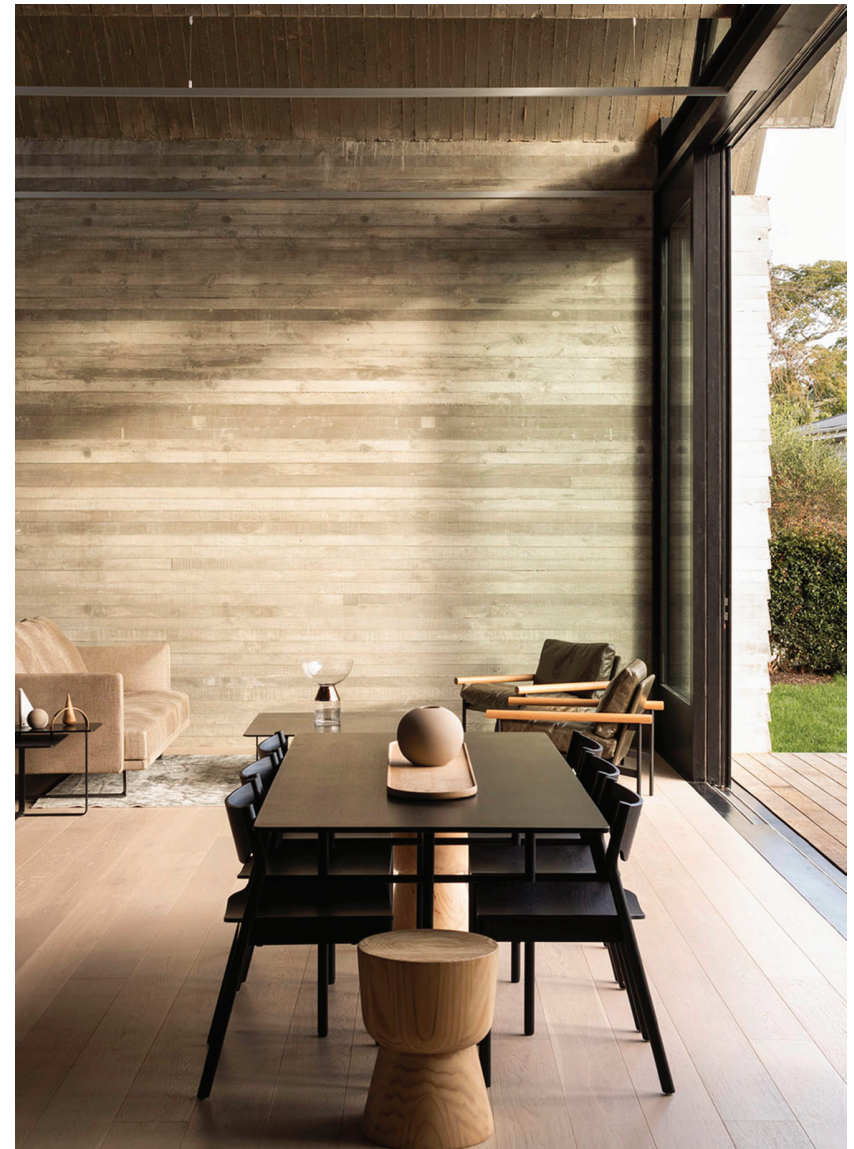
Available in three oak finishes, its lightweight look and subtle form offer a refined option to complement most tables.



Natural  
Oak

Umber

Black

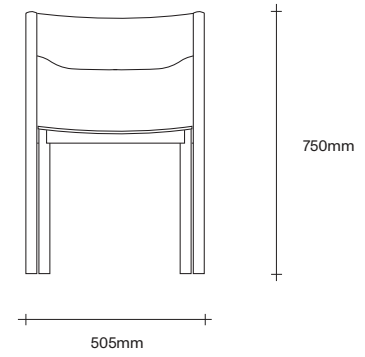
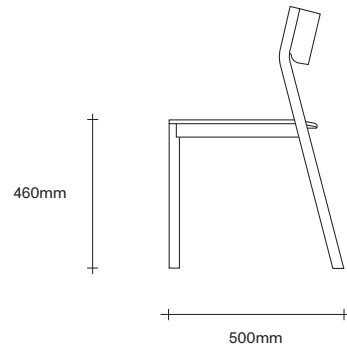


47 Normanby Road  
Mt Eden  
Auckland 1024  
Ph +64 9 377 5556

[simonjames.co.nz](http://simonjames.co.nz)

Tangerine Chair Dimensions

**SIMON JAMES**

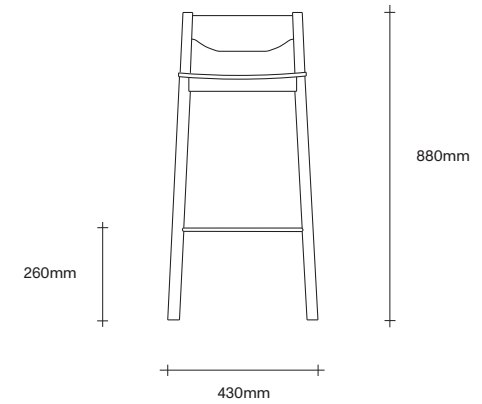
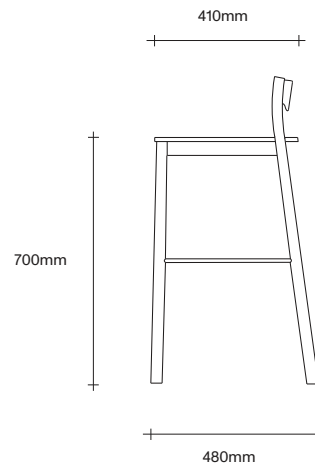
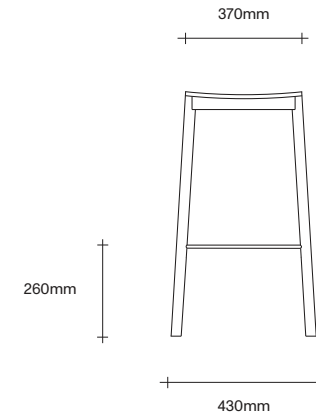
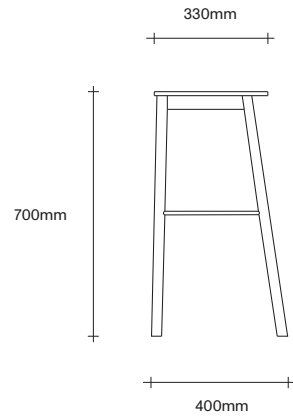


47 Normanby Road  
Mt Eden  
Auckland 1024  
Ph +64 9 377 5556

[simonjames.co.nz](http://simonjames.co.nz)

Tangerine Stool Dimensions

**SIMON JAMES**



47 Normanby Road  
Mt Eden  
Auckland 1024  
Ph +64 9 377 5556

[simonjames.co.nz](http://simonjames.co.nz)



**SIMON JAMES**

Copyright © 2017 Simon James Design Limited (SJD)  
Private and Confidential. No designs, concepts or ideas in this document  
may be used without prior written agreement of SJD.

Furniture & Lighting

47 Normanby Road  
Mt Eden  
Auckland 1024  
Ph +64 9 377 5556

[simonjames.co.nz](http://simonjames.co.nz)