

Tri Pendant



Resident Studio | 2013

The Tri Pendant is a member of Residents signature 'Geometric Family' that brings the beauty of mathematical precision into innovative and functional feature lighting into both the home and commercial environments.

The pendant is suspended from discrete slim line wires, with a high quality LED light source that is elegantly diffused through recessed frosted acrylic.

Tri works well as a single pendant, displayed in multiples or with other members of the geometric lighting family.

MATERIALS

Aluminium or Brass

CEILING ROSE

Matt Black Aluminium

PRODUCT ENVIRONMENT

Indoor Use Only

CONTRACT USE

Yes

CERTIFICATION

CE, cUL, UL

WARRANTY

3 years

COUNTRY OF ORIGIN

New Zealand

CODE

TRI001B

TRI001BR

PRODUCT

Tri Pendant - Black

Tri Pendant - Brass

LIGHT SOURCE

Integrated LED

VOLTAGE

24V

POWER USAGE

30W

LUMENS

2047lm

COLOUR TEMP

2700k

CRI

95

LIFESPAN

50,000

CABLE

Min 30 cm (12 in) - Max 200 cm (78 in)

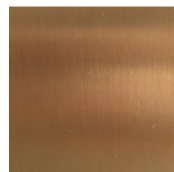
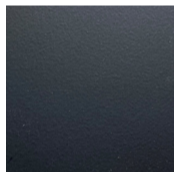
DIMMING

Non-dimmable as standard and comes with a 60W (non-dimmable) driver.

FINISHES

black

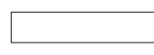
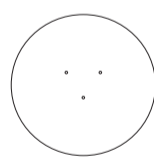
brass



PRODUCT WEIGHT

Black:
2.7 kg (6 lbs)

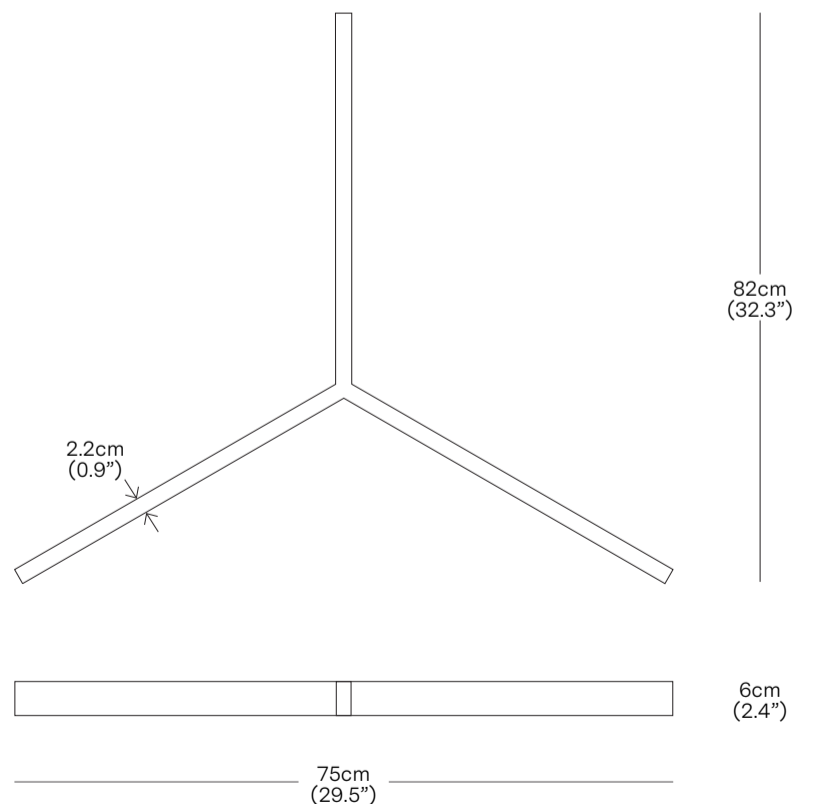
Brass:
3.6 kg (7.9 lbs)



Ø20.5cm
(8.1")

Ceiling Rose

5cm
(2")



PACKAGED DIMENSIONS

L x W x H	Cubage	Weight
Black		
99 x 87 x 10 cm	0.09 m ³	5.3 kg
39 x 34.3 x 3.9 in	3.2 ft ³	11.7 lbs
Brass		
99 x 87 x 10 cm	0.09 m ³	6.4 kg
39 x 34.3 x 3.9 in	3.2 ft ³	14.1 lbs
COMMODITY CODE	94052090	

* Components drawn in relative scale. Refer to CAD files for accurate drawings.

Resident