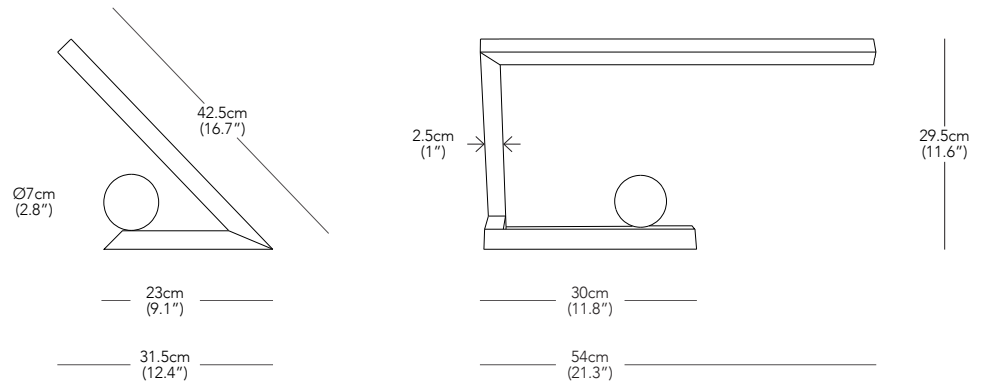


Resident

Oud Lamp



DESIGNER
Cheshire Architects / 2012

PRODUCT DESCRIPTION
Table Light

PRODUCT CODE
 OUD001B - Oud Table Light, Black
 OUD001BR - Oud Table Light, Brass
 OUD001S - Oud Table Light, Steel

* Components drawn in relative scale. Refer to CAD files for accurate drawings.

MATERIALS
Brass or Stainless Steel, Marble

COLOUR OPTIONS
 Matt Black, Honey Onyx Marble
 Brushed Brass, Rossa Levanto Marble
 Sandblasted Steel, Verde Guatemala Marble

PRODUCT ENVIRONMENT
Indoor Use Only

APPROPRIATE FOR HARD CONTRACT USE
Yes

CERTIFICATION
CE

WARRANTY
3 Years

PACKAGED DIMENSIONS
1 Box Per Light

W	D	H	Box
70	70	30	0.15 m ³
27.6	27.6	11.8"	5.2 ft ³

PACKAGED WEIGHT	Stainless Steel
Brass	4.6 kg
4.8 kg	10.1 lbs

PRODUCT WEIGHT	Stainless Steel
Brass	2.6 kg
2.8 kg	5.7 lbs
6.2 lbs	

DIMMING
The Oud Lamp is non-dimmable as standard and has an intergrated on/off swich activated by turning the marble ball.

LIGHT SOURCE
 Voltage - 24V
 Power Usage - 5W
 Lumens - 280lm
 Colour Temperature - 2800K
 CRI - 90
 Average Lifespan - 50,000Hrs

CABLE LENGTH
187cm (73.6")

COUNTRY OF ORIGIN
New Zealand