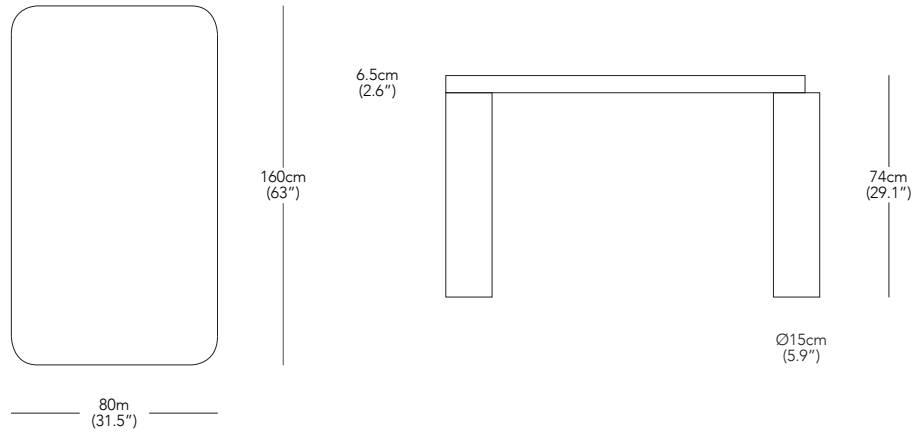


# Resident

## Offset Dining Table



DESIGNER  
Philippe Malouin / 2018

PRODUCT DESCRIPTION  
Dining Table

PRODUCT CODE  
OFD001N - Offset Dining Table, Natural  
OFD001U - Offset Dining Table, Umber

\* Components drawn in relative scale. Refer to CAD files for accurate drawings.

MATERIALS  
Solid Oak

COLOUR  
Natural Oak  
Umber Stained Oak

PRODUCT ENVIRONMENT  
Indoor Use Only

APPROPRIATE FOR HARD CONTRACT USE  
Yes

WARRANTY  
3 Years

PACKAGED DIMENSIONS  
2 Boxes Per Table

W	D	H	Box 1 (Legs)
74	40	30cm	0.09 m <sup>3</sup>
29.1	15.7	11.8"	3.14 ft <sup>3</sup>
W	D	H	Box 2 (Top)
84	164	20cm	0.28 m <sup>3</sup>
33.1	64.6	7.9"	9.73 ft <sup>3</sup>

PACKAGED WEIGHT	
Box 1 (Legs)	Combined
37.0 kg	101.0 kg
81.6 lbs	222.7 lbs
Box 2 (Top)	
64.0 kg	
141.1 lbs	

PRODUCT WEIGHT  
97.0 kg  
213.9 lbs

CUSTOMISATION  
Custom size available on request. Refer to the price list.

Please email [sales@resident.co.nz](mailto:sales@resident.co.nz) for enquiries.

Min Length - 80cm / 31.5" - Max Length 280cm / 110.2"  
Min Width - 80cm / 31.5" - Max Width 120cm / 47.2"

Length and Width sizing is in increments of 10cm / 3.9"

COUNTRY OF ORIGIN  
Lithuania