

# KAIA

## AVA

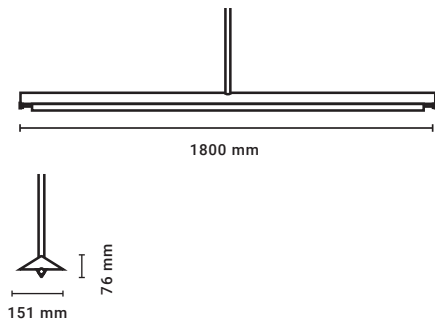
Designed by KAIA  
Munich 2022

The AVA collection, designed by KAIA, impresses with its simple, timeless design paired with technical sophistication. This work of art follows the KAIA philosophy, creating harmonious objects designed for function and simplicity.



### AVA

Suspension 1800



#### Type

Material

Environment

Dimensions

Weight

Ceiling rose

Certification

Lamping\*

Standard finishes:

230 01 202

230 01 402

Pendant light

Solid brass

Indoors

1800 x 151 x 76 mm

70.86 x 5.94 x 3"

18 kg; 39.7 lb

Ø 90 mm x 205 mm

Ø 4.33" x 0.19"

IP20 CE

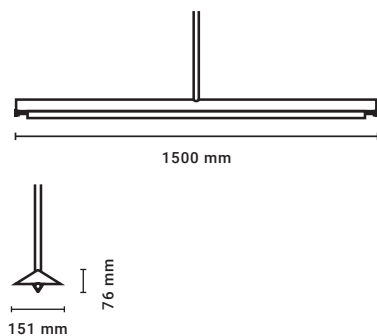
CCT LED technology: 24V,  
2200K - 5300K (+-100K), 37W,  
3795lm, Tuneable white, dimmable

brushed brass

aged brass

### AVA

Suspension 1500



#### Type

Material

Environment

Dimensions

Weight

Ceiling rose

Certification

Lamping\*

Standard finishes:

230 02 202

230 02 402

Pendant light

Solid brass

Indoors

1500 x 151 x 76 mm

59.05 x 5.94 x 3"

14,5 kg; 32 lb

Ø 90 mm x 205 mm

Ø 4.33" x 0.19"

IP20 CE

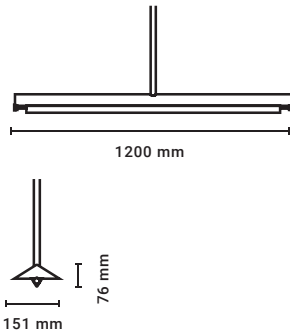
CCT LED technology: 24V,  
2200K - 5300K (+-100K), 31W,  
3160lm, Tuneable white, dimmable

brushed brass

aged brass

## AVA

Suspension 1200



Type	Pendant light
Material	Solid brass
Environment	Indoors
Dimensions	1200 x 151 x 76 mm 47.24 x 5.94 x 3"
Weight	11 kg; 24,3 lb
Ceiling rose	Ø 90 mm x 205 mm Ø 4.33" x 0.19"
Certification	IP20 CE
Lamping*	CCT LED technology: 24V, 2200K - 5300K (+-100K), 23W, 2400lm, Tuneable white, dimmable
Standard finishes:	
230 03 202	brushed brass
230 03 402	aged brass

\* Please contact [sales@kaiaeditions.com](mailto:sales@kaiaeditions.com) for further information on dimmers, transformers etc. Please note KAIA Ltd cannot take any responsibility for the connection with your dimming or central control system. It is the customer's responsibility to ensure the compatibility with their systems.

\*\* Lighting fixtures designed for the indoor environment up to 24° Celsius / 75° F.

