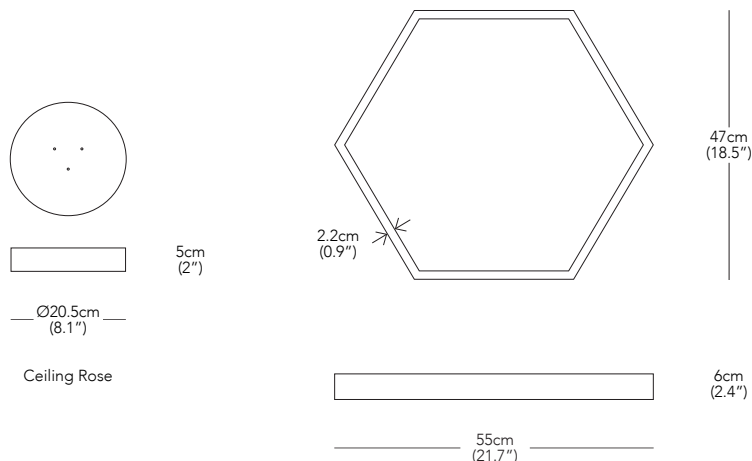


Resident

Hex 500 Pendant



DESIGNER
Resident Studio / 2013

PRODUCT DESCRIPTION
Pendant Light

PRODUCT CODE
HEX001A - Hex 500, Pendant, Aluminium
HEX001B - Hex 500, Pendant, Black
HEX001W - Hex 500, Pendant, White

* Components drawn in relative scale. Refer to CAD files for accurate drawings.

MATERIALS
Aluminium, Acrylic

COLOUR OPTIONS
Brushed Aluminium
Matt Black
Matt White

PRODUCT ENVIRONMENT
Indoor Use Only

APPROPRIATE FOR HARD CONTRACT USE
Yes

CERTIFICATION
CE, CUL, UL

WARRANTY
3 Years

PACKAGED DIMENSIONS
1 Box Per Light

W	D	H	Box
56	62	10	0.03 m ³
22	24.4	3.9	1.2 ft ³

PACKAGED WEIGHT
3.7 kg
8.2 lbs

PRODUCT WEIGHT
2.7 kg
6.0 lbs

DIMMING
The Hex 500 Pendant is non-dimmable as standard and comes with a 60W (non-dimmable) Driver. The dimming options below are an additional purchase.

Compatible with the standard driver:
DIM001 - Dimmer with Remote
DIM002 - Dimmer with Wall Switch

Dimmable drivers replacing the standard driver:
DC Dimming:
DRI06 - 60W 0-10V Dimmable Driver
Universal Ac, Triac And Trailing Edge Dimming:
DRI09 - 60W Phasecut Dimmable Driver (EU)
DRI11 - 60W Phasecut Dimmable Driver (US)
Dali Systems:
DRI13 - 75W Dimmable Dali Driver (US)

LIGHT SOURCE
Voltage - 24V
Power Usage - 30W
Lumens - 2362lm
Colour Temperature - 2700K
CRI - 95
Average Lifespan - 50,000Hrs

CEILING ROSE
Matt Black Aluminium

CABLE LENGTH
Min 30cm (12") - Max 200cm (78")

COUNTRY OF ORIGIN
New Zealand