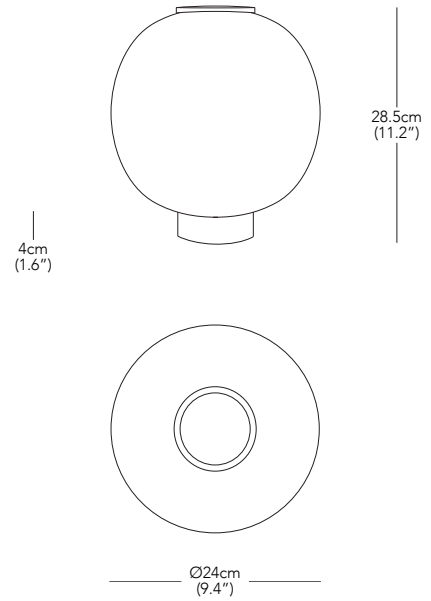


# Resident

## Bloom Table Light



DESIGNER  
Tim Rundle / 2018

PRODUCT DESCRIPTION  
Table Light

PRODUCT CODE  
BLM003 - Bloom Table Light, White  
BLM004 - Bloom Table Light, Black

\* Components drawn in relative scale. Refer to CAD files for accurate drawings.

MATERIALS  
Glass, Stainless Steel

COLOUR OPTIONS  
Frosted White Shade With Nickel Plated Fittings  
Frosted Black Shade With Matt Black Fittings

PRODUCT ENVIRONMENT  
Indoor Use Only

APPROPRIATE FOR HARD CONTRACT USE  
Yes

CERTIFICATION  
CE, RCM

WARRANTY  
3 Years

PACKAGED DIMENSIONS  
1 Box Per Light

W	D	H	Box
36 x 38 x 36cm			0.05 m <sup>3</sup>
14.2 x 15 x 14.2"			1.74 ft <sup>3</sup>

PACKAGED WEIGHT  
3.2 kg  
6.9 lbs

PRODUCT WEIGHT  
1.9 kg  
4.2 lbs

DIMMING  
The Bloom Table Light comes standard with a dimmable LED bulb and prewired in line dimming switch.\*

\* Dimming switch unavailable in Australia.

LIGHT SOURCE	UK/EU	US
LED Bulb	E27	E26
Voltage	220-240V	120V
Power Usage	5W (40W equiv)	6W (60W equiv)
Lumens	470lm	750lm
Colour Temp	2700K	2700K
CRI	90	80
Lifespan	15,000Hrs	20,000Hrs

CABLE LENGTH  
280cm (110.2")

COUNTRY OF ORIGIN  
China