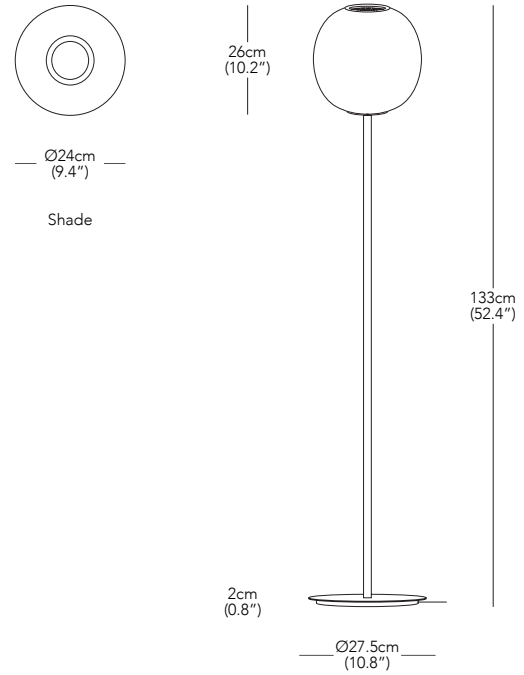


Resident

Bloom Floor Light



* Components drawn in relative scale. Refer to CAD files for accurate drawings.

DESIGNER
Tim Rundle / 2019

PRODUCT DESCRIPTION
Floor Light

PRODUCT CODE
BLM007 - Bloom Floor Large, White
BLM008 - Bloom Floor Large, Black

MATERIALS
Glass, Stainless Steel

COLOUR OPTIONS
Frosted White Shade With Nickel Plated Diffuser
Frosted Black Shade With Matt Black Diffuser

PRODUCT ENVIRONMENT
Indoor Use Only

APPROPRIATE FOR HARD CONTRACT USE
Yes

CERTIFICATION
CE, RCM

WARRANTY
3 Years

PACKAGED DIMENSIONS
2 Boxes Per Light

W	D	H	Box 1 (Shade)
35	39	43	0.06 m ³
13.8	15.4	16.9"	2.12 ft ³
W	D	H	Box 2 (Base & Stem)
34	34	124	0.14 m ³
13.4	13.4	48.8"	4.94 ft ³

PACKAGED WEIGHT	Combined
Box 1 (Shade)	11.9 kg
2.8 kg	26.2 lbs
6.2 lbs	
Box 2 (Base & Stem)	
9.1 kg	
20.1 lbs	

PRODUCT WEIGHT
7.9 kg
17.4 lbs

DIMMING
The Bloom Floor Light comes standard with a dimmable LED bulb and prewired in line dimming switch.*

* Dimming switch unavailable in Australia.

LIGHT SOURCE	UK/EU	US
LED Bulb	E27	E26
Voltage	220-240V	120V
Power Usage	5W (40W equiv)	6W (60W equiv)
Lumens	470lm	750lm
Colour Temp	2700K	2700K
CRI	90	80
Lifespan	15,000Hrs	20,000Hrs

CABLE LENGTH
300cm (118")

COUNTRY OF ORIGIN
China