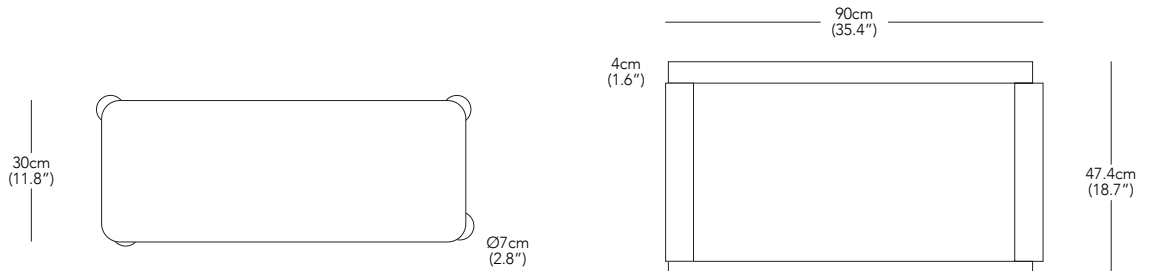


# Resident

## Offset Shelf Small 1-Tier



DESIGNER  
Philippe Malouin / 2021

PRODUCT DESCRIPTION  
Shelf Unit

PRODUCT CODE  
OFS002N - Offset Shelf Small 1 Tier, Natural  
OFS002U - Offset Shelf Small 1 Tier, Umber

\* Components drawn in relative scale. Refer to CAD files for accurate drawings.

MATERIALS  
Solid Oak

COLOUR OPTIONS  
Natural Oak  
Umber Stained Oak

PRODUCT ENVIRONMENT  
Indoor Use Only

APPROPRIATE FOR HARD CONTRACT USE  
Yes

WARRANTY  
3 Years

PACKAGED DIMENSIONS  
2 Boxes Per Shelf

| W    | D | H    | Box 1 (Shelves)     |
|------|---|------|---------------------|
| 100  | x | 40   | 0.05 m <sup>3</sup> |
| 39.4 | x | 15.7 | 1.7 ft <sup>3</sup> |
| 53   | x | 75   | Box 2 (Uprights)    |
| 16   |   |      | 0.06 m <sup>3</sup> |
| 20.9 | x | 29.5 | 2.2 ft <sup>3</sup> |

| PACKAGED WEIGHT  | Combined |
|------------------|----------|
| Box 1 (Shelves)  | 22.5 kg  |
| 18 kg            | 49.6 lbs |
| 39.7 lbs         |          |
| Box 2 (Uprights) |          |
| 4.5 kg           |          |
| 9.9 lbs          |          |

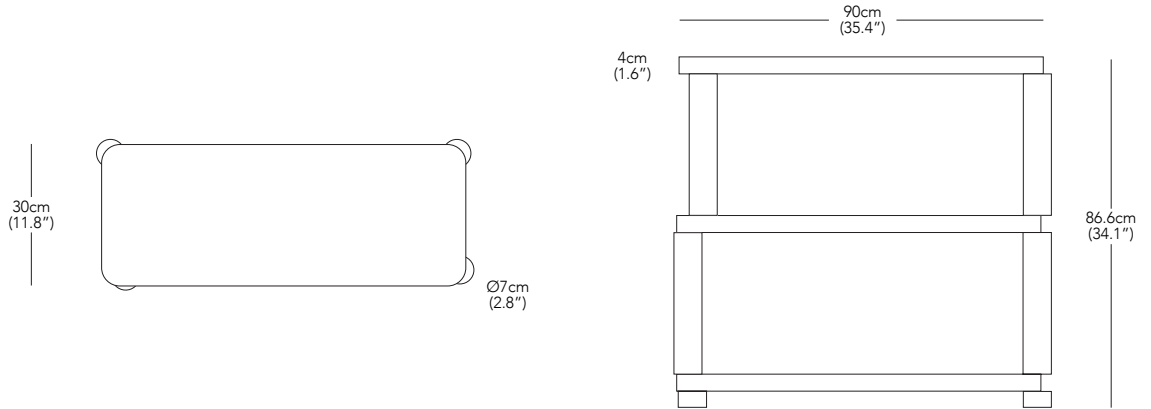
| PRODUCT WEIGHT | INTERNAL SHELF DIMENSIONS |
|----------------|---------------------------|
| 20 kg          | 75 x 30 x 35cm            |
| 44.1 lbs       | 29.5 x 11.8 x 13.8"       |

CUSTOMISATION  
Please email [sales@resident.co.nz](mailto:sales@resident.co.nz) for enquiries.

COUNTRY OF ORIGIN  
Lithuania

# Resident

## Offset Shelf Small 2-Tier



DESIGNER  
Philippe Malouin / 2021

PRODUCT DESCRIPTION  
Shelf Unit

PRODUCT CODE  
OFS003N - Offset Shelf Small 2 Tier, Natural  
OFS003U - Offset Shelf Small 2 Tier, Umber

\* Components drawn in relative scale. Refer to CAD files for accurate drawings.

MATERIALS  
Solid Oak

COLOUR OPTIONS  
Natural Oak  
Umber Stained Oak

PRODUCT ENVIRONMENT  
Indoor Use Only

APPROPRIATE FOR HARD CONTRACT USE  
Yes

WARRANTY  
3 Years

PACKAGED DIMENSIONS  
2 Boxes Per Shelf

| W    | D    | H    | Box 1 (Shelves)     |
|------|------|------|---------------------|
| 106  | 40   | 21cm | 0.09 m <sup>3</sup> |
| 41.7 | 15.7 | 8.3" | 3.1 ft <sup>3</sup> |
| W    | D    | H    | Box 2 (Uprights)    |
| 48.5 | 40   | 25cm | 0.05 m <sup>3</sup> |
| 19.1 | 15.7 | 9.8" | 1.7 ft <sup>3</sup> |

| PACKAGED WEIGHT  | Combined |
|------------------|----------|
| Box 1 (Shelves)  | 35 kg    |
| 26 kg            | 77.2 lbs |
| 57.3 lbs         |          |
| Box 2 (Uprights) |          |
| 9 kg             |          |
| 19.8 lbs         |          |

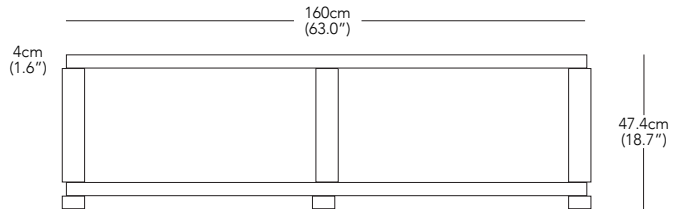
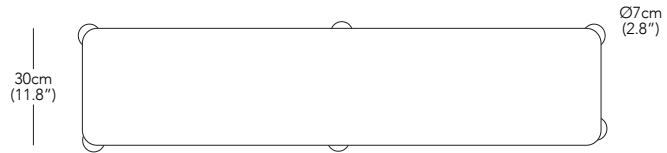
| PRODUCT WEIGHT | INTERNAL SHELF DIMENSIONS |
|----------------|---------------------------|
| 33.1 kg        | 75 x 30 x 35cm            |
| 73.0 lbs       | 29.5 x 11.8 x 13.8"       |

CUSTOMISATION  
Please email [sales@resident.co.nz](mailto:sales@resident.co.nz) for enquiries.

COUNTRY OF ORIGIN  
Lithuania

# Resident

## Offset Shelf Large 1-Tier



**DESIGNER**  
Philippe Malouin / 2021

**PRODUCT DESCRIPTION**  
Shelf Unit

**PRODUCT CODE**  
OFS004N - Offset Shelf Large 1 Tier, Natural  
OFS004U - Offset Shelf Large 1 Tier, Umber

\* Components drawn in relative scale. Refer to CAD files for accurate drawings.

**MATERIALS**  
Solid Oak

**COLOUR OPTIONS**  
Natural Oak  
Umber Stained Oak

**PRODUCT ENVIRONMENT**  
Indoor Use Only

**APPROPRIATE FOR HARD CONTRACT USE**  
Yes

**WARRANTY**  
3 Years

**PACKAGED DIMENSIONS**  
2 Boxes Per Shelf

|        |        |      |                     |
|--------|--------|------|---------------------|
| W      | D      | H    | Box 1 (Shelves)     |
| 200 x  | 40 x   | 12cm | 0.1 m <sup>3</sup>  |
| 78.7 x | 15.7 x | 4.7" | 3.4 ft <sup>3</sup> |
| W      | D      | H    | Box 2 (Uprights)    |
| 53 x   | 75 x   | 16cm | 0.06 m <sup>3</sup> |
| 20.9 x | 29.5 x | 6.3" | 2.2 ft <sup>3</sup> |

|                        |          |
|------------------------|----------|
| <b>PACKAGED WEIGHT</b> |          |
| Box 1 (Shelves)        | Combined |
| 30 kg                  | 37 kg    |
| 66.1 lbs               | 81.5 lbs |
| Box 2 (Uprights)       |          |
| 7 kg                   |          |
| 15.4 lbs               |          |

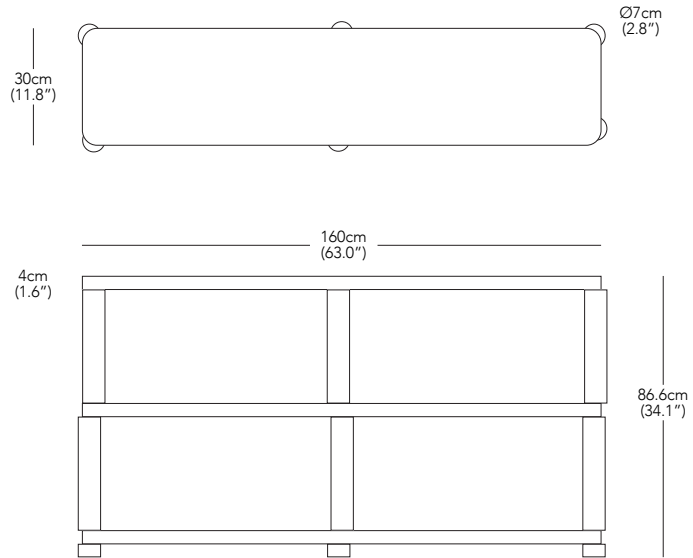
|                       |                                  |
|-----------------------|----------------------------------|
| <b>PRODUCT WEIGHT</b> | <b>INTERNAL SHELF DIMENSIONS</b> |
| 34 kg                 | 68 x 30 x 35cm                   |
| 75.0 lbs              | 26.7 x 11.8 x 13.8"              |

**CUSTOMISATION**  
Please email [sales@resident.co.nz](mailto:sales@resident.co.nz) for enquiries.

**COUNTRY OF ORIGIN**  
Lithuania

# Resident

## Offset Shelf Large 2-Tier



DESIGNER  
Philippe Malouin / 2021

PRODUCT DESCRIPTION  
Shelf Unit

PRODUCT CODE  
OFS005N - Offset Shelf Large 2 Tier, Natural  
OFS005U - Offset Shelf Large 2 Tier, Umber

\* Components drawn in relative scale. Refer to CAD files for accurate drawings.

MATERIALS  
Solid Oak

COLOUR OPTIONS  
Natural Oak  
Umber Stained Oak

PRODUCT ENVIRONMENT  
Indoor Use Only

APPROPRIATE FOR HARD CONTRACT USE  
Yes

WARRANTY  
3 Years

PACKAGED DIMENSIONS  
2 Boxes Per Shelf

|      |   |      |                  |       |                     |
|------|---|------|------------------|-------|---------------------|
| W    | D | H    | Box 1 (Shelves)  |       |                     |
| 176  | x | 38.5 | x                | 21cm  | 0.14 m <sup>3</sup> |
| 69.3 | x | 15.2 | x                | 8.3"  | 5.0 ft <sup>3</sup> |
| W    | D | H    | Box 2 (Uprights) |       |                     |
| 50   | x | 40   | x                | 34cm  | 0.07 m <sup>3</sup> |
| 19.7 | x | 15.7 | x                | 13.4" | 2.4 ft <sup>3</sup> |

|                  |           |
|------------------|-----------|
| PACKAGED WEIGHT  |           |
| Box 1 (Shelves)  | Combined  |
| 45.5 kg          | 58.6 kg   |
| 100.3 lbs        | 129.2 lbs |
| Box 2 (Uprights) |           |
| 13.1 kg          |           |
| 28.9 lbs         |           |

|                |                           |
|----------------|---------------------------|
| PRODUCT WEIGHT | INTERNAL SHELF DIMENSIONS |
| 54.7 kg        | 68 x 30 x 35cm            |
| 120.6 lbs      | 26.7 x 11.8 x 13.8"       |

CUSTOMISATION  
Please email [sales@resident.co.nz](mailto:sales@resident.co.nz) for enquiries.

COUNTRY OF ORIGIN  
Lithuania