

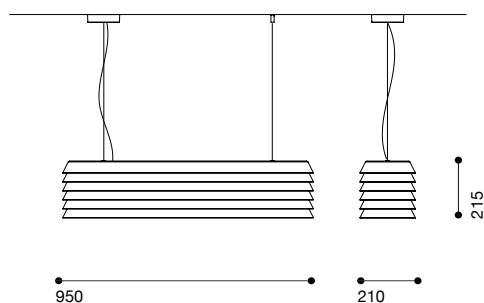
Louvre Light Klauser & Carpenter



Type: Suspension Light

Design: 2008

Designer: Klauser & Carpenter



Dimensions

S1: L950mm x D210mm x H215mm

Weight

6.8 kg

Cable Length

L2000mm

Materials

Anodised aluminium, polycarbonate diffuser, powder-coated aluminium and steel fixings, steel suspension cable.

Lamp Colour

- Anodised bronze 220V
- Anodised bronze 120V

Cable Colour

- clear
- clear

Packaging Dimensions

S1: L1230x D430 x H540mm

Weight

35 kg

Packaging Type

crate

Wiring type

Mains voltage

Colour Temperature

S1 3000k

Supply Voltage

S1 220/240Vac, 50-60Hz
S1 110/120Vac, 50-60Hz

Lamp Bulb Supplied

S1 220/240V and 110/120V:
2x LED stripes direct 42W
2x LED stripes indirect 26W

Lumens

S1 Direct 3600 Lm
S1 Indirect 2200 Lm

Life Expectancy

S1 50000 hours

Ingress Protection Rating

IP20

Dimmable

S1 220V: integrated dimmer DALI control technology
S1 110V: Integrated dimmer 0-10 Vdc

Notes: Luminare compatible with dimming devices, professional installer to advise on suitable dimmer

Bulb fitting

Integrated LED strips

Type of Insulation

Class I (1)

Notes

CE mark



Care & Maintenance

Clean electrical parts with a soft dry cloth only.
To clean the glass use a slightly damp microfibre cloth with a mild detergent.
To clean the lamp please use a soft, damp cloth or a duster, avoiding any abrasives or solvents.