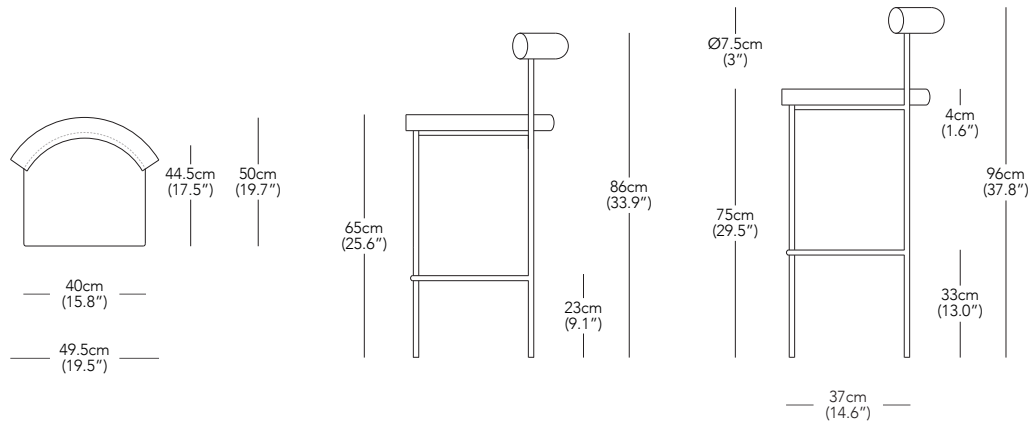


Resident

Kashmir Stool



DESIGNER
Simon James / 2019

PRODUCT DESCRIPTION
Upholstered Stool

PRODUCT CODE
KAS002 - Kashmir Stool Counter Height
KAS003 - Kashmir Stool Bar Height

* Components drawn in relative scale. Refer to CAD files for accurate drawings.

MATERIALS
Multi Density Foam, Timber & Steel Frame

PRODUCT ENVIRONMENT
Indoor Use Only

APPROPRIATE FOR HARD CONTRACT USE
Yes

WARRANTY
3 Years

PACKAGED DIMENSIONS
1 Box Per Chair

W	D	H	
54	55	100	Counter
21.3	21.7	39.4	0.29 m ³
			10.1 ft ³
W	D	H	
54	55	110	Bar
21.3	21.7	43.3	0.31 m ³
			11.1 ft ³

PACKAGED WEIGHT	
Counter	Bar
13.0 kg	15.6 kg
28.7 lbs	34.4 lbs

PRODUCT WEIGHT	
Counter	Bar
10.1 kg	12.7 kg
22.3 lbs	28.0 lbs

UPHOLSTERY OPTIONS
Maharam - Messenger
Maharam - Mode
Camira - Synergy
Camira - Mainline Flax
Kvadrat - Hallingdal 65
Sorensen - Shade

PERFORMANCE
100,000 Martindale
100,000 Martindale
100,000 Martindale
50,000 Martindale
100,000 Martindale
-

MATERIAL COMPOSITION
78% Recycled Polyester, 15% Polyester, 7% Nylon
80% Recycled Polyester, 20% Polyester
95% Virgin Wool, 5% Polyamide
70% Virgin Wool, 30% Flax
70% New Wool, 30% Viscose
100% Full Protected Aniline Leather

UPHOLSTERY USAGE
Fabric
1 m, 1.1 yd

Leather
1.7 m², 18.4 ft²

COUNTRY OF ORIGIN
Manufactured in sales territory - UK / USA / AUS / NZ